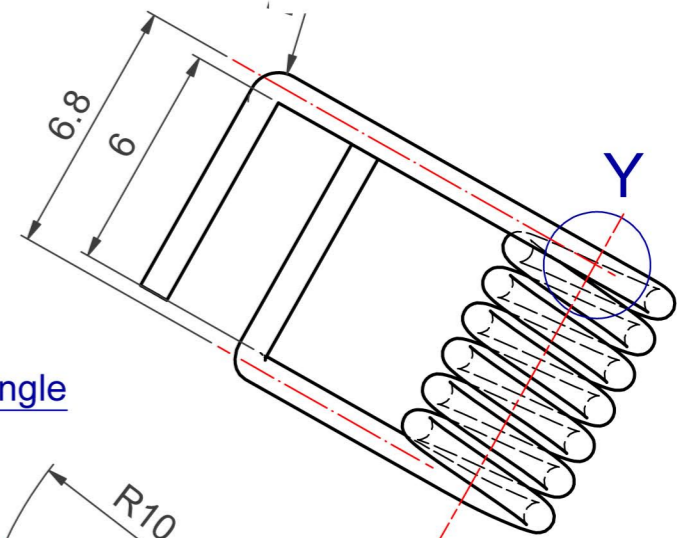
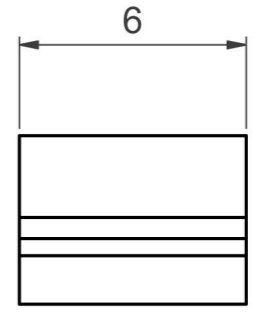
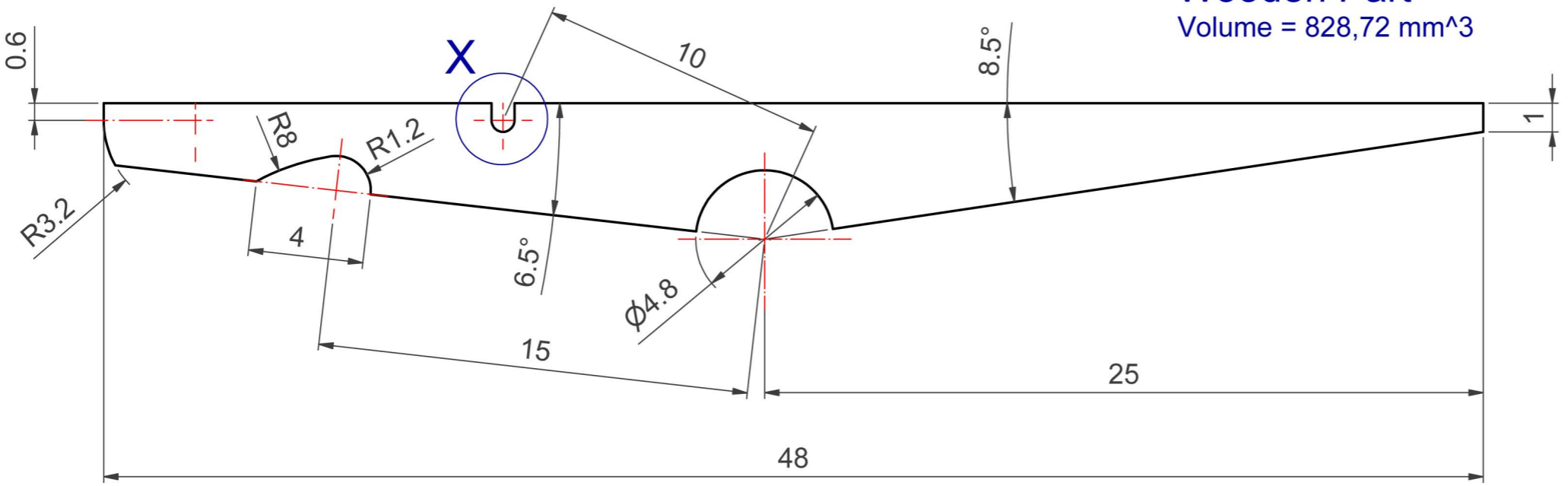
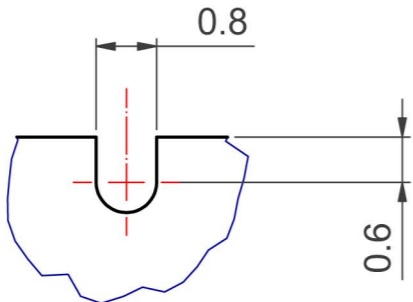


6 5 4 3 2 1

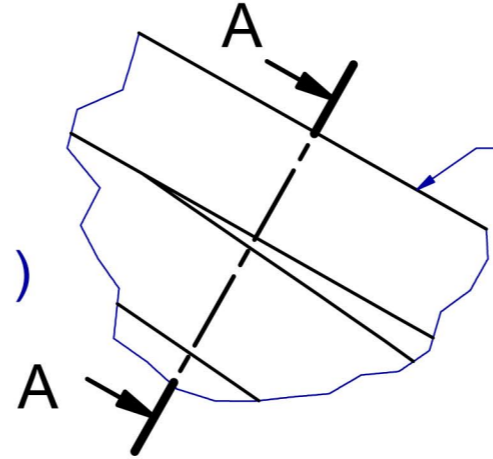
Wooden Part
Volume = 828,72 mm³



X (10:1)

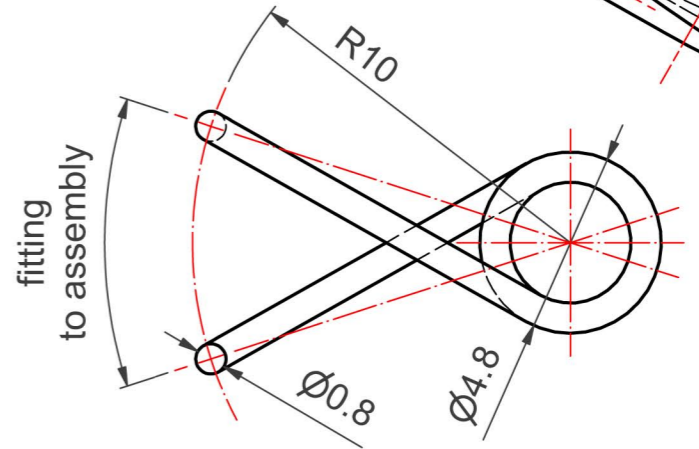
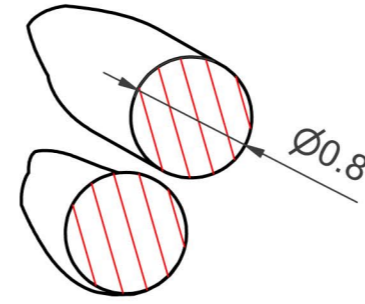


Y (20:1)

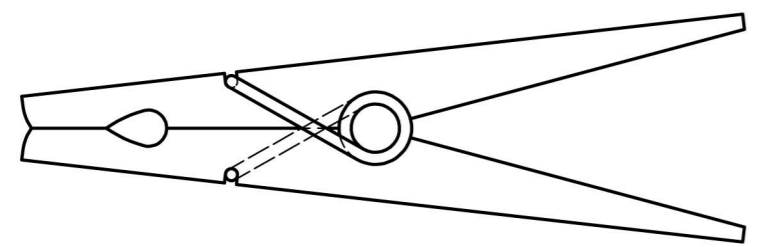
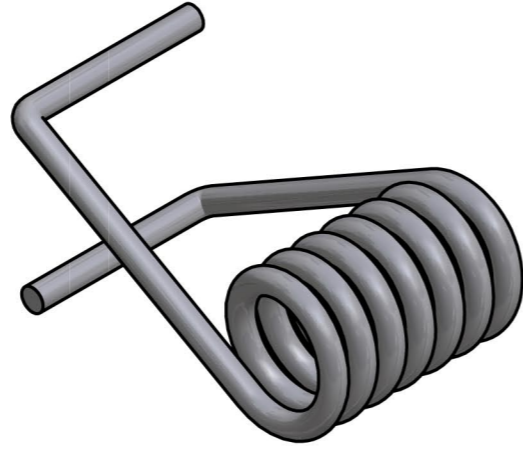
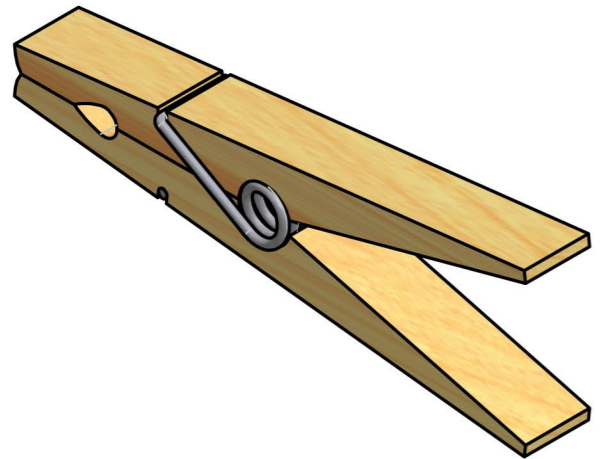


both sides:
45° flat angle
45° transition angle

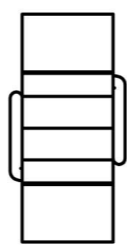
A-A



Spring
Volume = 57...60 mm³



(2:1)



Material:	Heat treatment:	First angle projection. All dimensions in mm.	
Surface treatment:	Shrinkage (estimate):	Draft:	Not indicated Fillets/Rounds: Chamfers:
Inventor NG World Cup Clothespin Original model by Michael Puschner			
Project Subject Title:	Scale:	Tolerances according to standard:	
IV8 04-02-04	5:1 (2:1) (10:1) (20:1)	Drawn: mp	04-08-05
	Quantity:	Status: WorkInProgress	Replacing: MECHANICAL CAD 2017/18
		Sheet No.:	1 of 1
		A3	

6 5 4 3 2 1