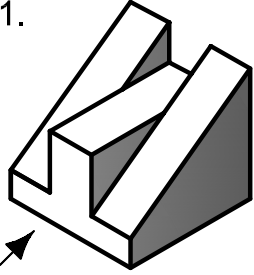
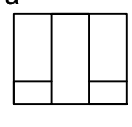
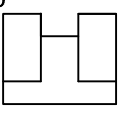
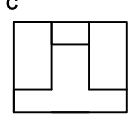
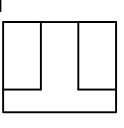
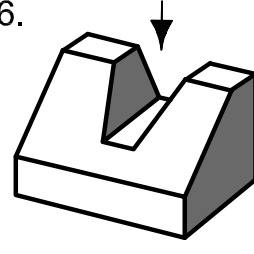
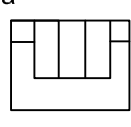
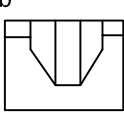
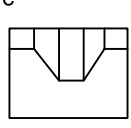
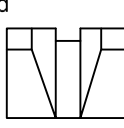
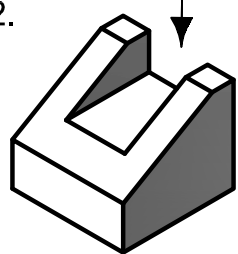
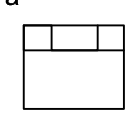
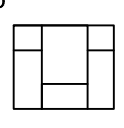
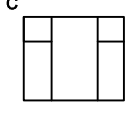
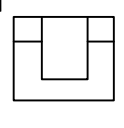
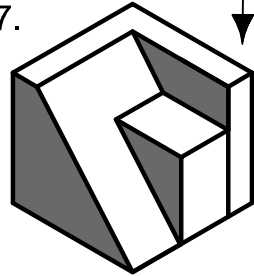
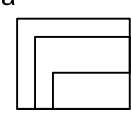
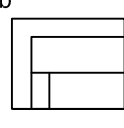
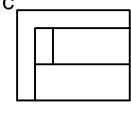
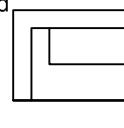


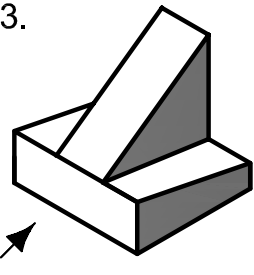
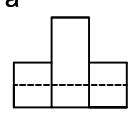
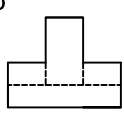
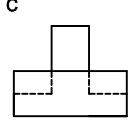
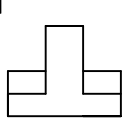
Select the view (a,b,c, or d) that accurately shows the orthographic view indicated by the arrow.

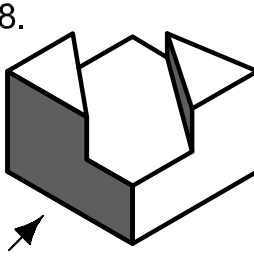
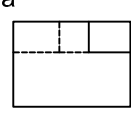
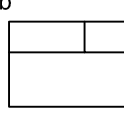
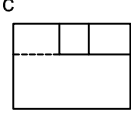
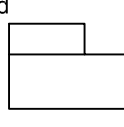
1.  a  b   
c  d 

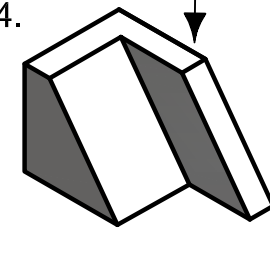
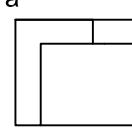
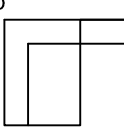
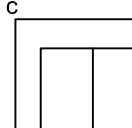
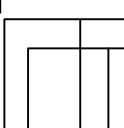
6.  a  b   
c  d 

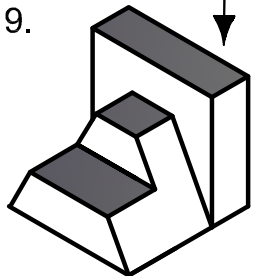
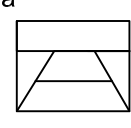
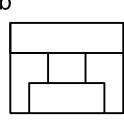
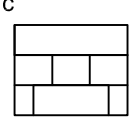
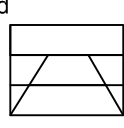
2.  a  b   
c  d 

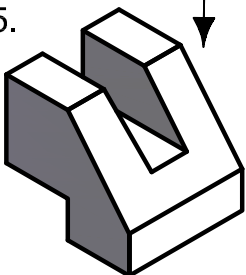
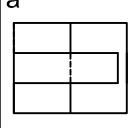
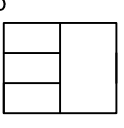
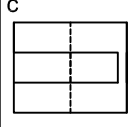
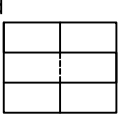
7.  a  b   
c  d 

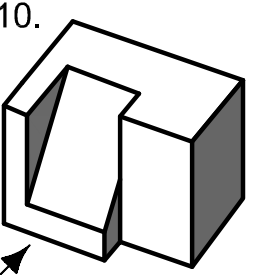
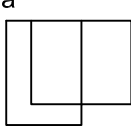
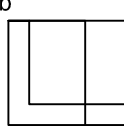
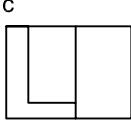
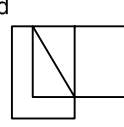
3.  a  b   
c  d 

8.  a  b   
c  d 

4.  a  b   
c  d 

9.  a  b   
c  d 

5.  a  b   
c  d 

10.  a  b   
c  d 

1 \_\_\_\_\_  
2 \_\_\_\_\_  
3 \_\_\_\_\_  
4 \_\_\_\_\_  
5 \_\_\_\_\_  
6 \_\_\_\_\_  
7 \_\_\_\_\_  
8 \_\_\_\_\_  
9 \_\_\_\_\_  
10 \_\_\_\_\_

10

Ortho Match

Name:

Date: